



▼ Charaterastic

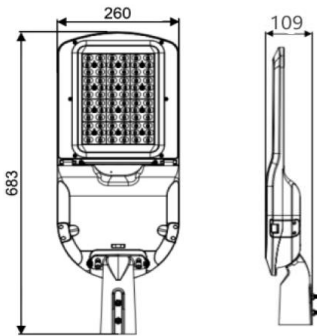
- 1.Sleek & Efficient: Streamlined design with high-durability tempered glass cover simplifies maintenance.
 - 2.Optimal Cooling: Independent dual-cavity heat dissipation ensures long LED lifespan.
 - 3.Precise Light Distribution: Professional optics deliver accurate illumination for various road applications.
 - 4.High-Efficiency LEDs: Imported chips provide exceptional brightness, energy savings, and slow brightness decay.
 - 5.Effortless Upkeep: Tool-free access and adjustable tilt simplify maintenance.
- + Pole mounting.
+Working temperature is -50°C to 70°C

▼ Application

I + a variety of different road needs, such as urban main roads, secondary roads, branch roads, industrial parks and other road lighting.

▼ "Non-dim/dim" and "Mono/Tunable white/chromatic" is available, PIs confirm before ordering.

Mono ON/OFF 0-10V DALI



▼ Technical Data (full sery)

Model	SIZE (mm)	POWER (W/M)	CRI	CCT (K)	LUMINOUS	VOLT	Control	Beam Angle	PF	N.W
RL-02C-150	683X260X109mm	150 W	>80	3000-6000K	19500 LM	AC100-277V	ON/OFF	T2/T3/ T4M	>0.95	5.60 kgs

- I +Notes:
1. Finish: Black, and customized RAL available
 2. It has five different size from 100W-300W.

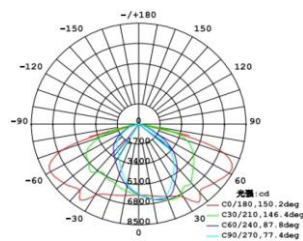
▼ Project



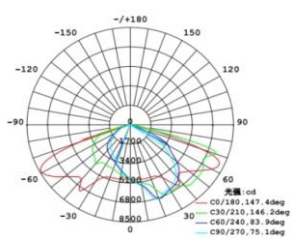
▼ Photos



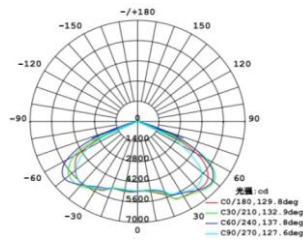
▼ Photometric curve



T2M



T3M



T4M